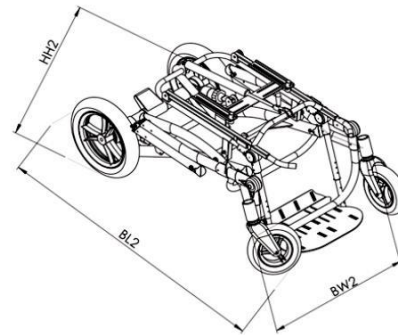
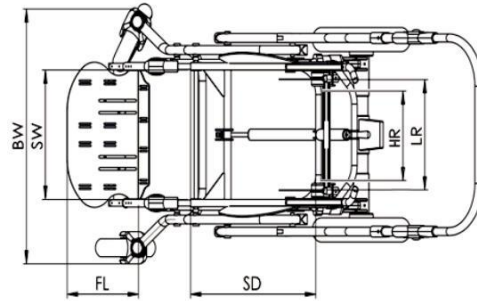
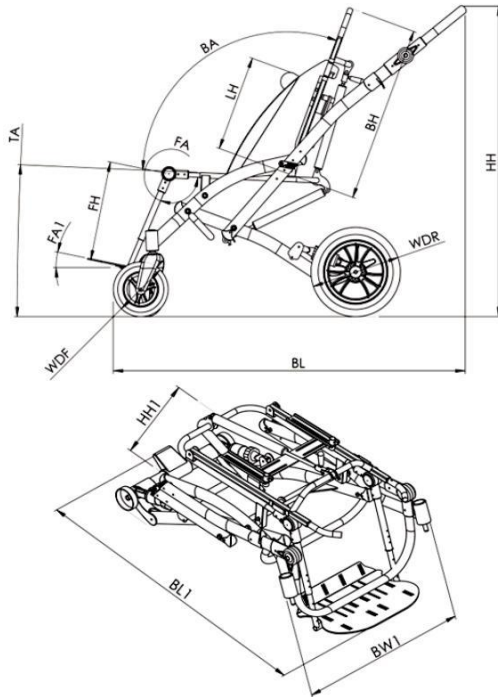




# Caretta Buggy

## TECHNICAL DATA



### DIMENSIONS

### SYMBOL

### DIMENSIONS[cm]

		Size 1	Size 2
Pelvic support spacing (seat width)	SW	32	38
Seat depth	SD	36 ÷ 42 ÷ 48	36 ÷ 42 ÷ 48
Tilt angle	TA	-1° ÷ 23°	12° ÷ 25°
Back height	BH	55 ÷ 75	55 ÷ 75
Back-support angle	BA	90° ÷ 120°	90° ÷ 120°
Chest supports length	LH	12 ÷ 42	12 ÷ 42
Chest supports spacing	LR	17 ÷ 30	22 ÷ 35
Head supports spacing	HR	12 ÷ 21	12 ÷ 21
Footrest height	FH	28 ÷ 39	33 ÷ 50
Footrest length	FL	23	23
Footrest angle adjustment	FA	0° ÷ 90°	0° ÷ 90°
Footrest assembly angle	FA1	-20° ÷ 20°	-20° ÷ 20°
Base length	BL	113	113
Base width	BW	64	69
Wheel diameter (front)	WDF	19	19
Wheel diameter (rear)	WDR	31	31
Handle height	HH	70 ÷ 113	70 ÷ 113
Folded buggy height without wheels	HH1	52	52
Folded buggy width without wheels	BW1	61	66
Folded buggy length without wheels	BL1	94	94
Folded buggy height with wheels	HH2	57	57
Folded buggy width with wheels	BW2	63	63
Folded buggy length with wheels	BL2	97	97
Maximum user's weight		55 kg	60 kg
Weight of the buggy		23 kg	24 kg